

LED General Purpose Strip RETROFIT KIT



Limitless Options
for the following applications:

TCP's LED General Purpose Strip Retrofit Kits are designed to easily replace the fluorescent lamps and ballast in an existing fluorescent strip fixture with an integrated LED lighting solution. The universal design fits most 4.25" and 5.25" wide T8/T12 fluorescent strips.

These LED retrofit kits significantly reduce energy consumption compared to the existing fluorescent systems, providing instant energy savings along with the ability to take advantage of potential utility rebates. A long 50,000 hour rated life significantly decreases maintenance labor and material costs over the life of the system.

TCP's LED General Purpose Strip Retrofit Kits incorporate a ribbed, frosted white diffuser lens to protect the LEDs and minimize glare, while delivering bright, uniform light.

- General Lighting
- Task Lighting
- Aisles
- Warehouses
- Storage
- Manufacturing Facilities
- Retail



5 YEAR WARRANTY

LED General Purpose Strip Retrofit Kit

Features/Benefits

Up to 58% less energy than traditional fluorescent systems	Instant energy savings and potential rebate eligibility
Long 50,000 hour rated life	Minimizes replacements and labor costs
Excellent color consistency & CRI	Enhances color of focal point while maintaining uniformity throughout lighting installation
0-10V dimming driver comes standard	Smooth, continuous dimming
Mercury free	Great for all environments
Easy to install—surface mounts to existing fluorescent strip fixture housing	Easy installation and retrofit application—universal design fits most 4.25" and 5.25" wide T8/T12 fluorescent strips

Specifications

Input Line Voltage	120-277V
Input Line Frequency (Hz)	50/60HZ
Lumens / Wattage	A Package -4ft: 4200 (32W), 8 ft: 8500 (65W) B Package -4 ft: 2300 (18W), 8 ft: 4900 (38W)
Lumens per Watt (LPW)	>130
Color Temperature (CCT)	3500K, 4000K & 5000K
Dimming	0-10V (standard)
Controls	Occupancy sensor w/ daylight harvesting (optional)
Rated Life	>50,000 hours
Operating Temperature	-20°C to 50°C
CRI	80+
Power Factor	>0.9
THD	<20%

Warranty

Five year limited warranty against defects in manufacturing

Replacement Comparison

System	Ballast Factor	Input Watts*	LED Energy Savings
TCP LED Strip Retrofit Kit – 4 FT		32W	
2 Lamp 32W HBF	1.18	65	51%
2 Lamp 32W NBF	0.88	59	46%
TCP LED Strip Retrofit Kit – 8 FT		65W	
4 Lamp 32W HBF	1.18	153	58%
4 Lamp 32W NBF	0.88	112	42%



5 YEAR WARRANTY



Not all versions of this product are qualified on the DLC QPL. To view our DLC qualified products, please consult the DLC Qualified Products List at www.designlights.org/qpl.

Applications

TCP's LED General Purpose Strip Retrofit Kits easily replace existing fluorescent lamp and ballasts with an integrated LED system in 4 and 8 foot strip fixtures. These kits deliver bright, uniform light and long life, with the benefits of energy savings and low maintenance. Applications include general lighting, task lighting, aisles, warehouses, storage, manufacturing facilities and retail spaces.

Construction

- Visually appealing slim, low-profile design
- Heavy duty aluminum housing
- Durable UV stabilized powder coat finish
- Easy surface mounts onto housing of existing fluorescent strip fixture—universal design fits most 4.25" and 5.25" wide T8/T12 fluorescent strips

Electrical

- Universal 120-277V
- 0-10V dimming (standard)
- Long 50,000 hour rated life
- cULus damp location rated
- Optional occupancy sensors with daylight harvesting (sold separately)

Optics

- Durable ribbed, frosted white diffuser lens
- Glare-free light distribution



LED General Purpose Strip Retrofit Kit

Listings

cULus Listed – damp location rated
RoHS Compliant
DLC v4.2 Premium

Warranty

Five year limited warranty against defects in manufacturing

Installation

Surface mounts to existing fluorescent strip fixture housing
Before installation, please consult your local ordinances and building codes for compliance

Lumen Maintenance

Lumen Maintenance Factor (LMF)				
	36,000 hours ¹	50,000 hours ²	100,000 hours ²	Reported L ₇₀ (hours) ¹
TCPGPR4UZDA8xxK	90.61%	86.90%	74.82%	>36,000
TCPGPR8UZDA8xxK	90.61%	86.90%	74.82%	>36,000

¹ IESNA TM-21-11 projected value based on 6X IESNA LM-80-08 total test duration of 6,000 hours.

² IESNA TM-21-11 calculated value exceeds 6X IESNA LM-80-08 total test duration of 6,000 hours.

Catalog Ordering Matrix Example: TCPGPR4UZDA850K

TCP	GPR		U	ZD		8	
BRAND	PRODUCT ID	SIZE	VOLTAGE	CONTROLS/DIMMING	LUMEN PACKAGE	CRI	COLOR TEMPERATURE
TCP	GPR – General Purpose Retrofit Kit	4 – 4 foot 8 – 8 foot	U – 120V-277V	ZD – 0-10V Dimming	A	8 – 80	35K – 3500K 40K – 4000K 50K – 5000K
TCP	GPR – General Purpose Retrofit Kit	4 – 4 foot 8 – 8 foot	U – 120V-277V	ZD – 0-10V Dimming	B	8 – 80	40K – 4000K 50K – 5000K

AVAILABLE CONTROLS: **TS1** – TCP Occupancy Sensor w/bracket and interchangeable lenses, 40' or less, 120V, 277V, or 347V. (ordered separately) **LS1** – Leviton Occupancy Sensor w/bracket and interchangeable lenses, 40' or less, 120V, 277V, or 347V.

Performance Data

LUMEN PACKAGE	ITEM #	WATTAGE ¹	LUMENS ²	LPW	CRI	DIMENSIONS
A	TCPGPR4UZDA8xxK	32	4200	>130	80+	48" x 5.7" x 2.36"
	TCPGPR8UZDA8xxK	65	8500	>130	80+	96" x 5.7" x 2.36"
B	TCPGPR4UZDB8xxK	18	2300	>130	80+	48" x 5.7" x 2.36"
	TCPGPR8UZDB8xxK	38	4900	>130	80+	96" x 5.7" x 2.36"

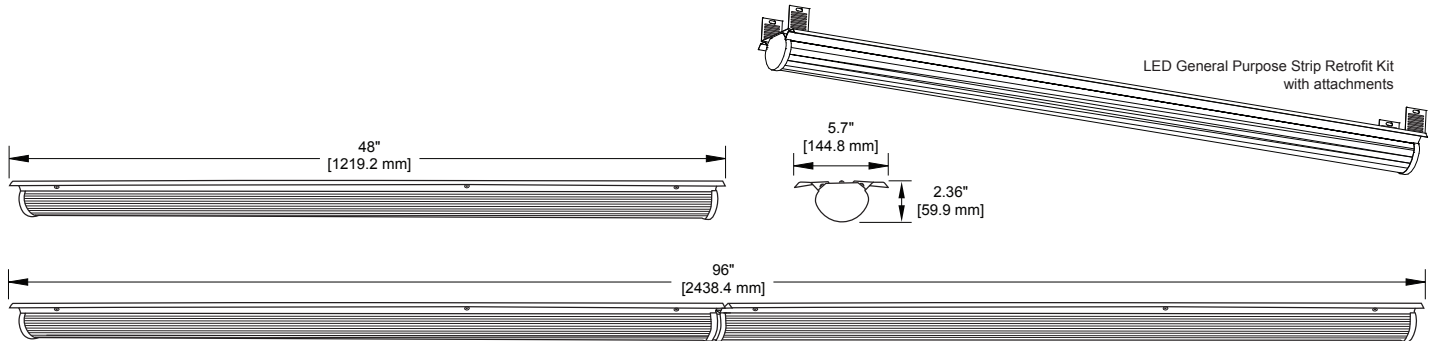
¹ Actual wattage may vary by +/- 10%.

² Approximate lumen output. Actual performance may vary based on CCT, options selected and end user application.

LED General Purpose Strip Retrofit Kit

LED TECHNICAL DATA

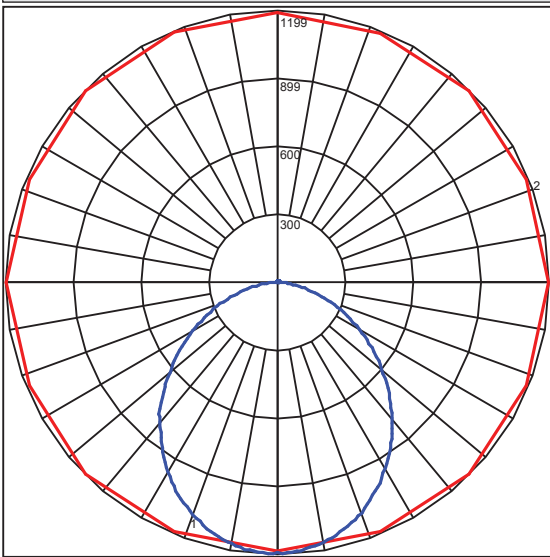
Dimensions and Mounting Data



Photometric Report

Based on photometric data for
TCP Item # TCPGPR4UZDA850K

Polar Graph



Maximum Candela = 1199.2 Located At Horizontal Angle = 180, Vertical Angle = 2
1 - Vertical Plane Through Horizontal Angles (180 - 0) (Through Max. Cd.)
2 - Horizontal Cone Through Vertical Angle (2) (Through Max. Cd.)

Coefficients of Utilization – Zonal Cavity Method

Effective Floor Cavity Reflectance 0.20

RC	80				70				50			30			10			0
RW	70	50	30	10	70	50	30	10	50	30	10	50	30	10	50	30	10	0
0	117	117	117	117	113	113	113	113	106	106	106	100	100	100	94	94	94	91
1	105	99	94	89	101	96	91	87	90	86	83	84	81	79	79	77	75	72
2	94	85	78	71	91	83	76	70	78	72	67	73	68	64	69	65	61	59
3	86	74	66	59	82	72	64	58	68	61	55	64	58	53	60	55	51	49
4	78	66	56	49	75	64	55	48	60	53	47	57	50	45	54	48	44	41
5	72	59	49	42	69	57	48	42	54	46	40	51	44	39	48	42	38	35
6	66	53	43	37	64	51	43	36	48	41	35	46	39	34	44	38	33	31
7	61	48	39	32	59	46	38	32	44	37	31	42	35	30	40	34	29	27
8	57	43	35	29	55	42	34	28	40	33	28	38	32	27	37	31	26	24
9	53	40	31	26	52	39	31	26	37	30	25	35	29	24	34	28	24	22
10	50	37	29	23	48	36	28	23	34	27	23	33	27	22	31	26	22	20

Zonal Lumen Summary

Zone	Lumens	%Lamp	%Fixt
0-20	434.65	N.A.	10.60
0-30	919.09	N.A.	22.40
0-40	1500.32	N.A.	36.50
0-60	2662.65	N.A.	64.80
0-80	3497.56	N.A.	85.10
0-90	3757.61	N.A.	91.40
10-90	3644.78	N.A.	88.70
20-40	1065.67	N.A.	25.90
20-50	1669.16	N.A.	40.60
40-70	1634.43	N.A.	39.80
60-80	834.91	N.A.	20.30
70-80	362.80	N.A.	8.80
80-90	260.05	N.A.	6.30
90-110	284.64	N.A.	6.90
90-120	331.75	N.A.	8.10
90-130	344.15	N.A.	8.40
90-150	349.47	N.A.	8.50
90-180	353.18	N.A.	8.60
110-180	68.55	N.A.	1.70
0-180	4110.79	N.A.	100.00

Total Luminaire Efficiency = N.A.%

Specifications and dimensions subject to change without notice.



©TCP AUG 2018/WF119212

we know light.™